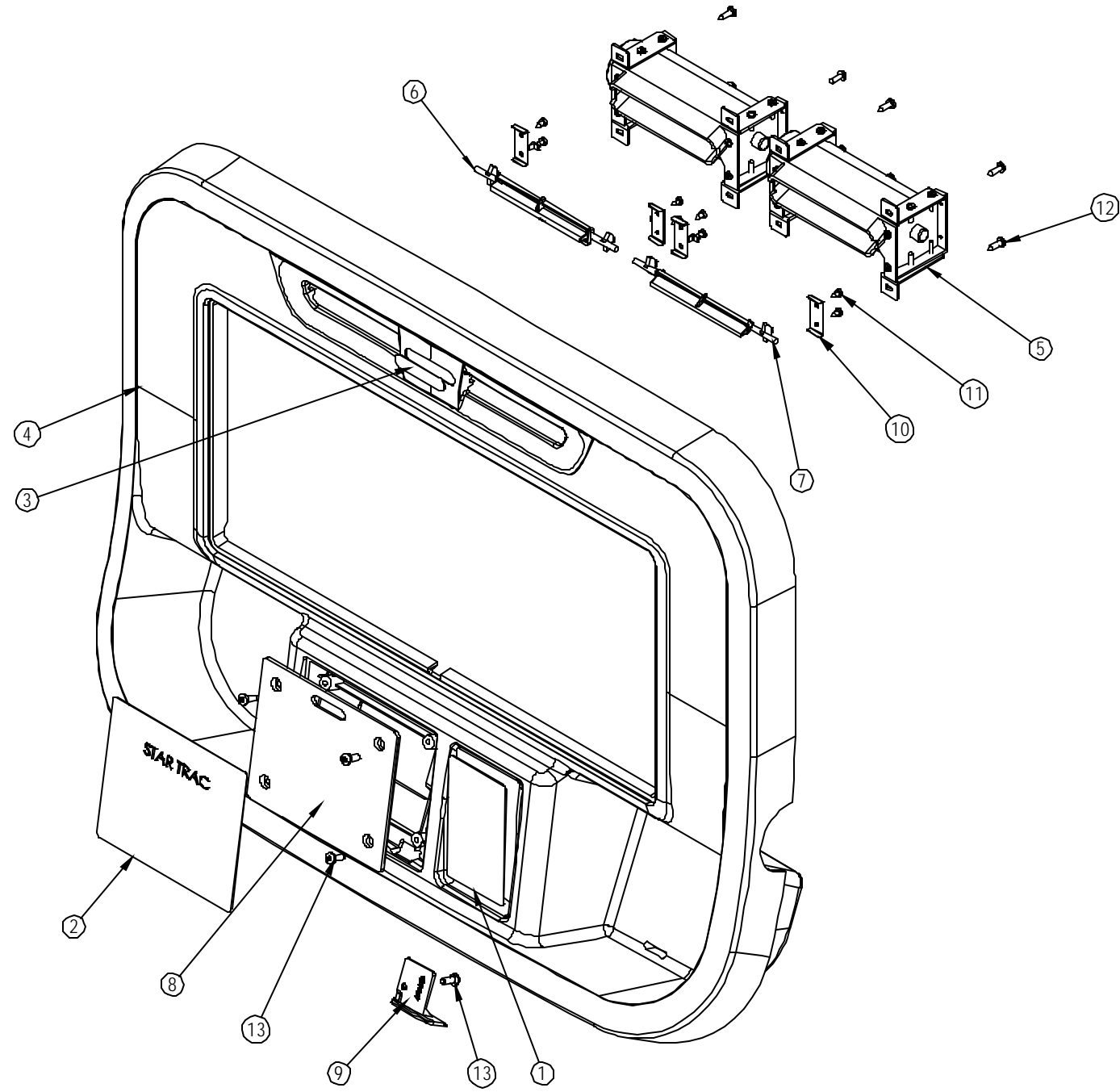


REVISION HISTORY				
REV	DATE	DESCRIPTION	ECO	BY
X01	7/11/2007	PROTOTYPE RELEASE	N/A	FJM
A	08-01-07	INITIAL RELEASE OF PRODUCTION	11699	SJ



ITEM NO.	STAR TRAC P/N	INRAY P/N	DESCRIPTION	QTY.
1	050-2109	050-2109	LABEL, USER SAFETY, S-TR	1
2	050-2110	050-2110	LABEL, CENTER CONSOLE, S-TR	1
3	050-2111	050-2111	LOGO, FRONT DISPLAY, S-TR	1
4	740-6039	STDP3301	SHROUD, FRONT, S-TR	1
5	740-6040	740-6040	ASSY. BLOWER, S-TR	2
6	740-6042	STDP3303	VENT, LVELER, S-TR, LEFT	1
7	740-6043	STDP3304	VENT, LVELER, S-TR, RIGHT	1
8	740-6044	STDP3309	CAP, CENTER CONSOLE, S-TR	1
9	740-6045	STDP3307	COVER, HEADPHONE JACK, S-TR	1
10	740-6046	STDP3313	BRACKET, VENT HOLDER, S-TR	4
11	740-6500	GB845ST2.9*6.5;	SCREW, GB845ST2.9*6.5	8
12	740-6501	GB845ST3.5*12;	SCREW, GB845ST3.5*12	8
13	740-6502	GB6560M4*12;   2	SCREW, GB6560M4*12	5

**NOTICE OF PROPRIETARY INFORMATION**  
 THIS DOCUMENT SHALL NOT BE REPRODUCED NOR SHALL THE INFORMATION CONTAINED HEREIN BE USED BY OR DISCLOSED TO OTHER EXCEPT AS EXPRESSLY AUTHORIZED BY UNISEN INC. D.B.A. STAR TRAC.

**DOCUMENT STATUS:**  
**RELEASE**

NOTES:

CLASS OF WORK	UNLESS OTHERWISE SPECIFIED DIMS ARE IN mm. TOLERANCES FOR MEASURE OF LENGTH ARE:							
	0.5 to 3	>3 to 6	>6 to 30	>30 to 120	>120 to 400	>400 to 1000	>1000 to 2000	>2000
FINE	±0.05	±0.05	±0.1	±0.15	±0.2	±0.3	±0.5	-----
MEDIUM	±0.1	±0.1	±0.2	±0.3	±0.5	±0.8	±1.2	±2
COARSE	±0.2	±0.3	±0.5	±0.8	±1.2	±2	±3	±4
VERY COARSE	-----	±0.5	±1	±1.5	±2.5	±4	±6	±8

**MATERIAL**  
 SEE BOM

**FINISH**  
 N/A

**VENDOR:**

P/N: **740-6041**

THIRD ANGLE PROJECTION



DRAWN	INITIAL	DATE
	FJM	07-11-07
CHECKED		
APPROVED		
	U.O.M.	MM

**UNISEN, INC. DBA**  
  
 14410 Myford Road  
 Irvine CA 92606

STARTRAC PART NO **740-6041** REV **A**

TITLE **ASSY, FRONT CONSOLE, S-TR**

SCALE: 1:1 | SHEET 1 OF 1 | SHEET SIZE: B